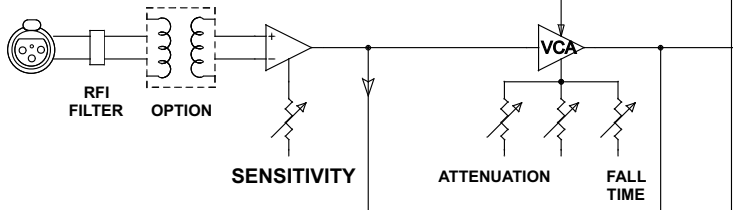
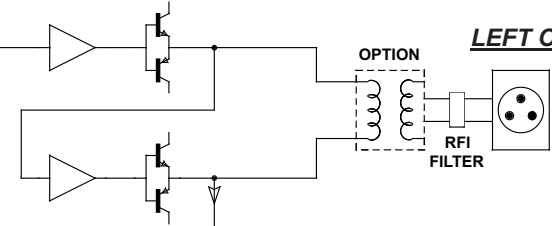


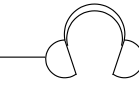
**LEFT A INPUT**



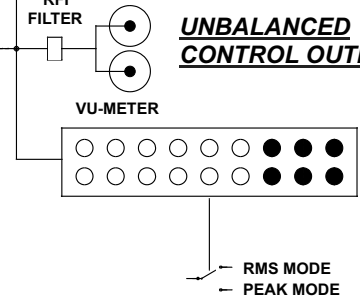
**LEFT OUTPUT**



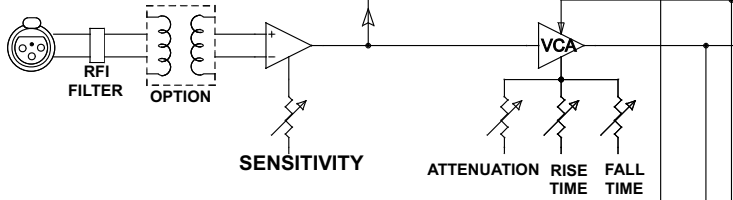
**FRONT PHONES**



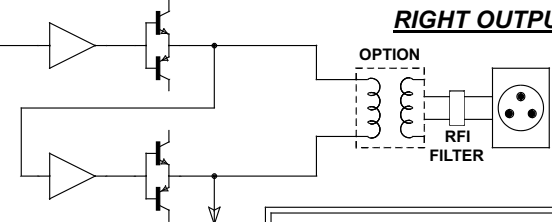
**UNBALANCED CONTROL OUTPUT**



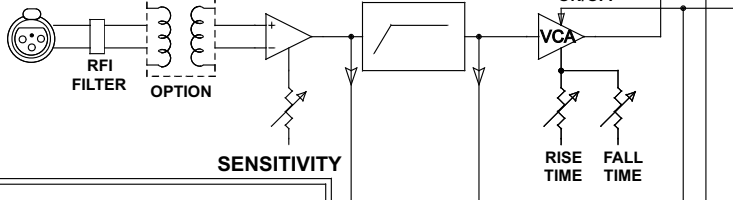
**RIGHT A INPUT**



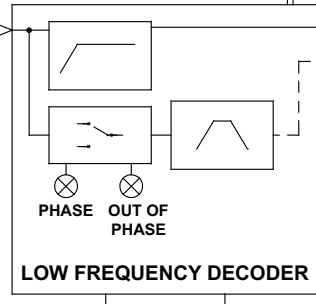
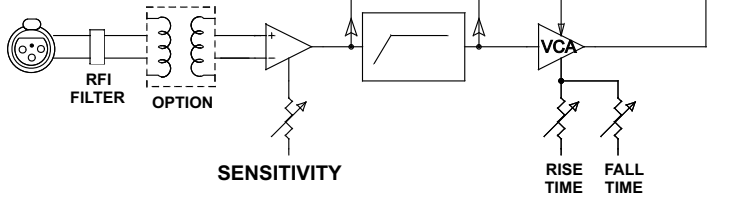
**RIGHT OUTPUT**



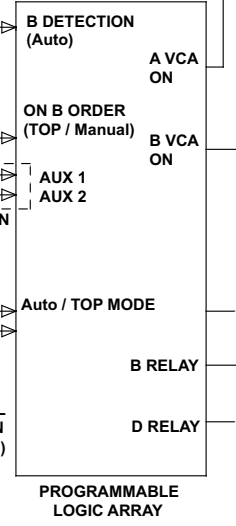
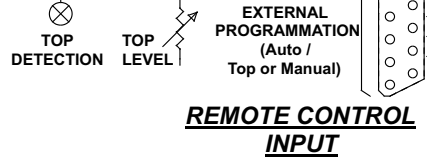
**LEFT B INPUT**



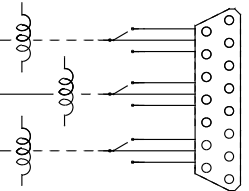
**RIGHT B INPUT**



**REMOTE CONTROL INPUT**



**REMOTE RELAY OUTPUT**



A RELAY : Mirror of A Channel  
B RELAY : Mirror of B Channel  
D RELAY : Mirror of TOP or Manual ORDER