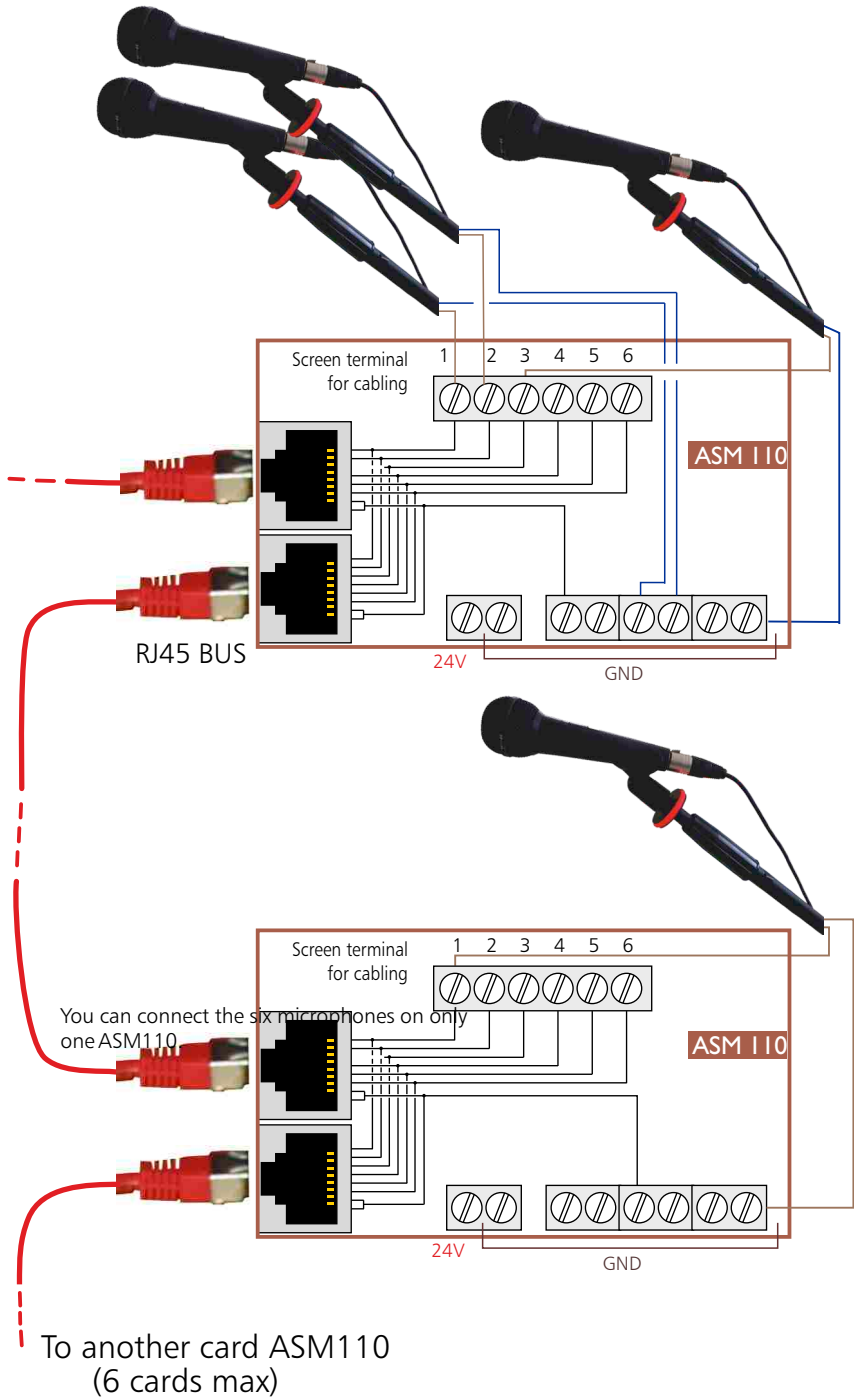


To a second card ASM100

But you can use a second or third or more ASM110 if the distance between all the microphones is too large.



To another card ASM110
(6 cards max)